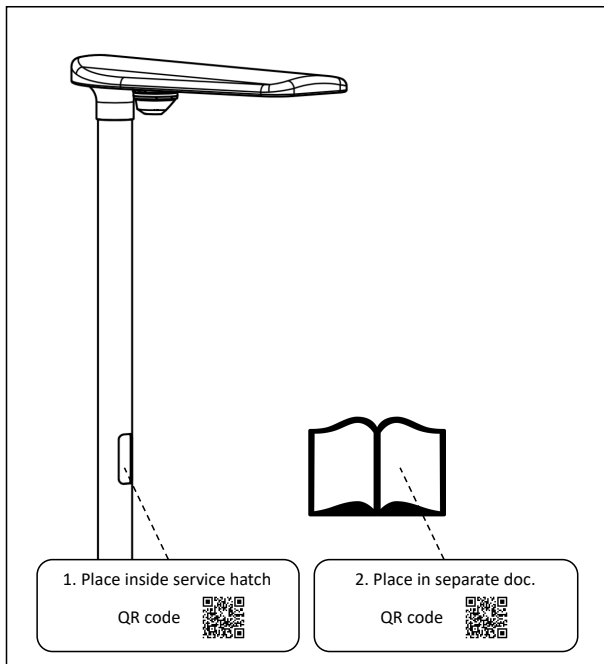


Installation Guide Comlight Zhaga

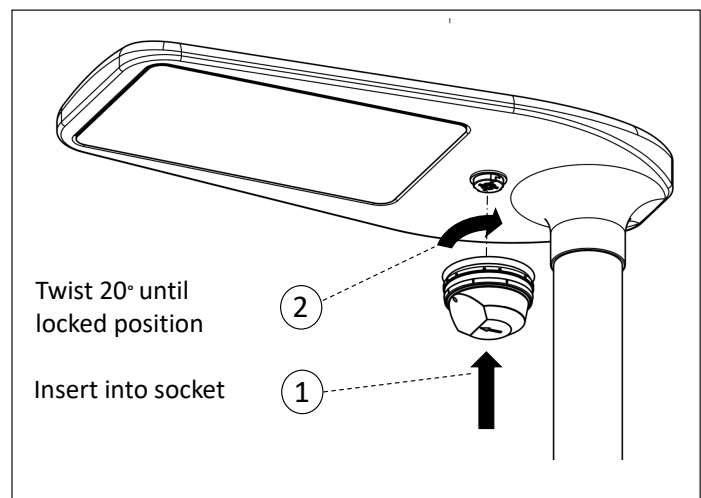
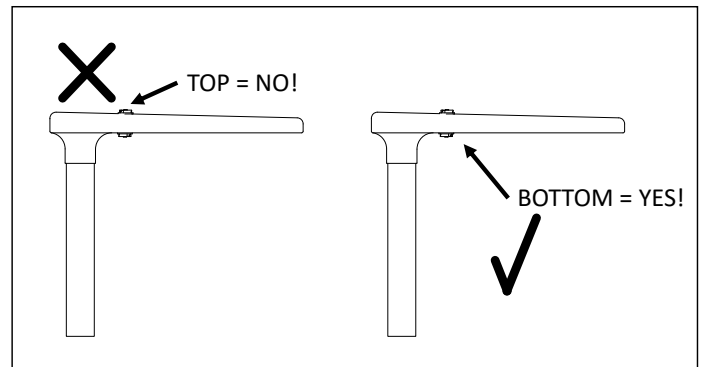
1. Important - record serial numbers!



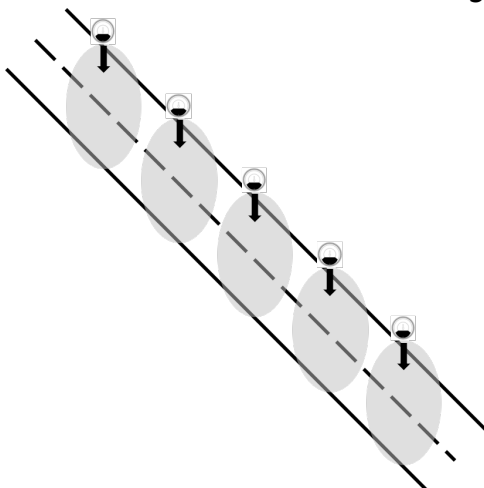
To commission the installation, a record of the location of all serial numbers are needed.

For each sensor, attach the barcode labels 1. Inside service hatch and 2. On separate document (installation report or map) to identify location of each serial number.

2. Mount Comlight Zhaga sensor



Standard deployment



The typical deployment scenario for a road is 45-degree detection angle relative to the road.

The sensor is prepared for this deployment scenario from the factory.

For other scenarios, please see technical support documents on www.comlight.no, or contact support@comlight.no

